

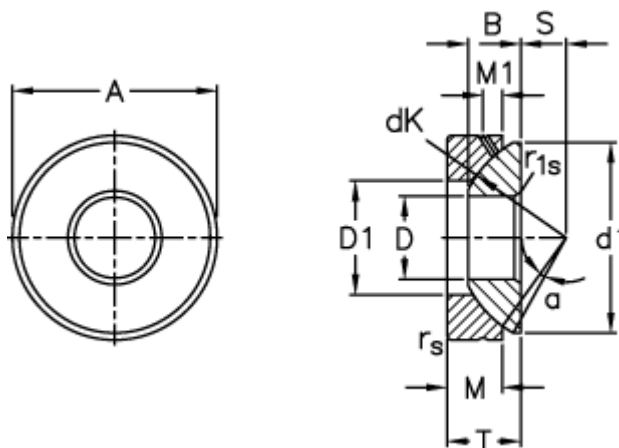
Data Sheet



Article number: 03511070

Description: Fluro Rod end GE 70AX

Measures



A	= 160 0 -0,025	M1	= 13.5
B	= 42	rs, r1s min	= 1
D	= 70 0 -0,015	S	= 35
d1 max	= 153	Static axial load C0 (kN)	= 4050
D1 min	= 94.5	T	= 50 +0,25 -0,50
dK	= 176	Tilt angle	= 3
Dynamic axial load C (kN)	= 800	Weight	= 5370
M	= 36.5		